

EPI AC1 Series



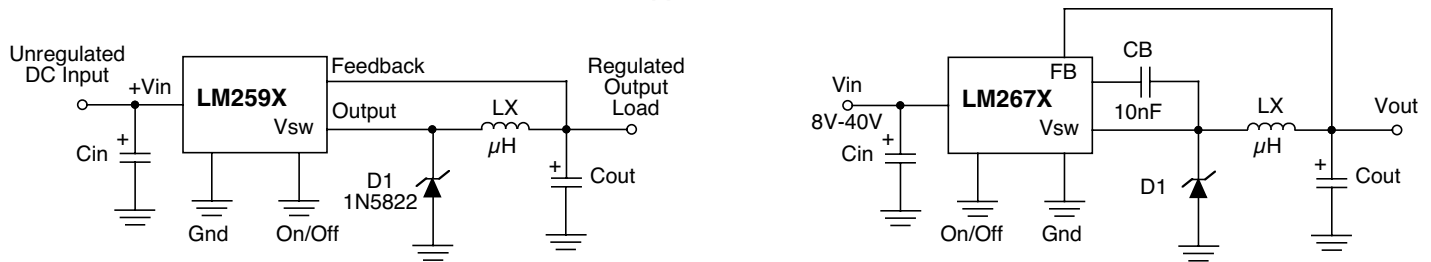
- Optimized for National's LM267X & LM259X Series
- Low loss material ensures operation in high frequency switching converters, such as Buck, Boost or as output averaging filter inductor
- Also suitable for use in high quality filter applications
- 150 KHz & 260 KHz Switching Frequency
- Low Cost Inductor

Primary Specification

Part Number	National Semiconductor Chip	Induct. ($\mu\text{H} \pm 15\%$) @ 0 Adc	DCR (Ω Typ.)	Induct. ($\mu\text{H} 10\%$) @ I _{dc}	I _{dc} (mA)	Core Loss		Vt1 (V- μSec) 150 KHz	Vt2 (V- μSec) 260 KHz	Temp.Rise	
						@ Vt1 (mW)	@ Vt2 (mW)			@ Vt1 °C (Typ.)	@ Vt2 °C (Typ.)
EPI100452AC1	LM267X-L45	13.5	0.022	10	4500	---	55	---	7.2	---	45
EPI150352AC1	LM267X-L34	20.0	0.035	15	3500	---	55	---	8.7	---	43
EPI150352AC1	LM259X-L34	20.0	0.035	15	3500	55	---	12.7	---	43	---

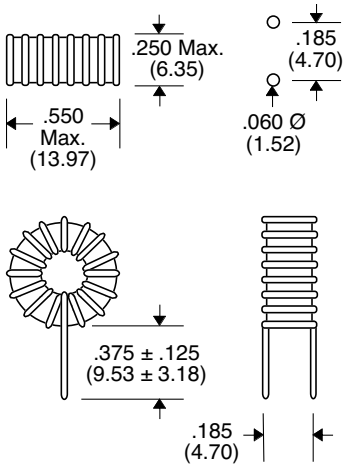
For no header version : add "V" for Vertical Mount and add "H" for Horizontal Mount

Applications



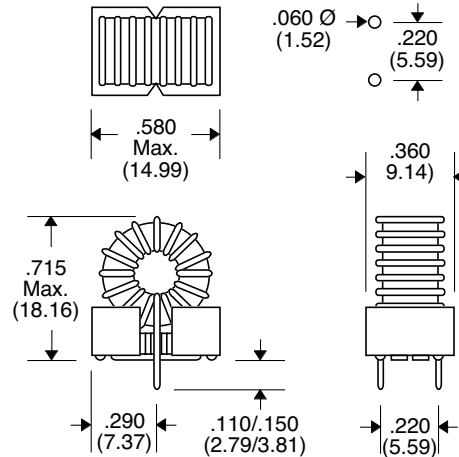
Package AC1V

Pad Layout

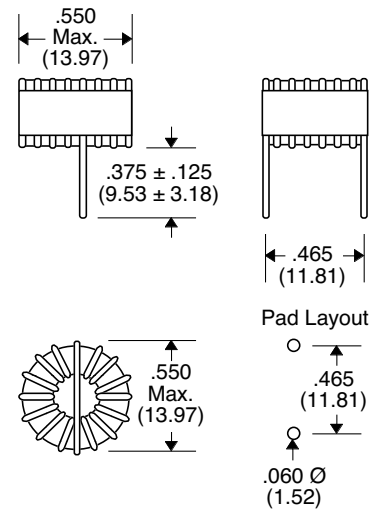


Package AC1

Pad Layout



Package AC1H



Unless Otherwise Specified Dimensions are in Inches /mm $\pm .010 / .25$