

## EPIXXXXXAC5 & EPIXXXXXAC5-LF



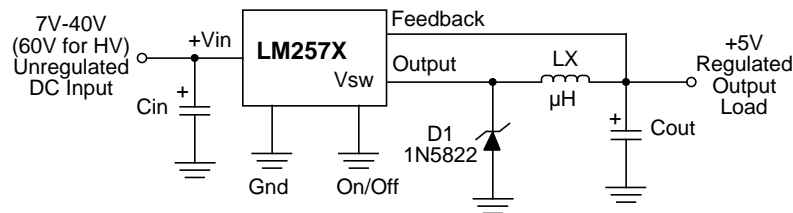
- Optimized for National's LM257X Series
- Low loss material ensures operation in high frequency switching converters, such as Buck, Boost or as output averaging filter inductor
- Also suitable for use in high quality filter applications
- Add "-LF" after part number for Lead-Free
- 52 KHz Switching Frequency
- Low Cost Inductor

### Primary Specification

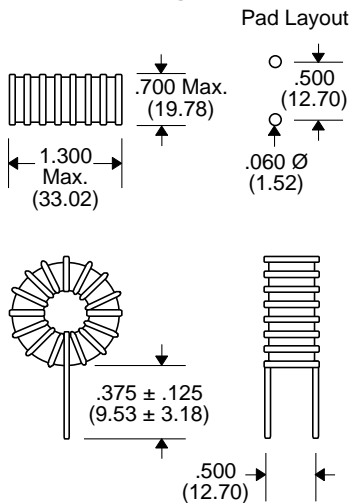
Part Number	National Semiconductor Chip	Induct. ( $\mu\text{H} \pm 20\%$ ) @ 0 Adc	DCR (Typ.)	Induct. ( $\mu\text{H} 10\%$ ) @ Idc	Idc (mA)	Core Loss @ Vt1 (mW)	Vt1 (V- $\mu\text{Sec}$ ) 52 KHz	Temp.Rise @ Vt1 $^{\circ}\text{C}$ (Typ.)
EPI221302AC5(-LF)	LM257X-H220	260	.090	220	3000	510	230.8	23
EPI331302AC5(-LF)	LM257X-H330	437	.117	330	3000	280	230.8	26
EPI471202AC5(-LF)	LM257X-H470	542	.210	470	2000	210	230.8	20
EPI681132AC5(-LF)	LM257X-H680	757	.247	680	1300	150	230.8	12
EPI102951AC5(-LF)	LM257X-H1000	1093	.297	1000	950	110	230.8	9

For no header version : add "V" for Vertical Mount and add "H" for Horizontal Mount

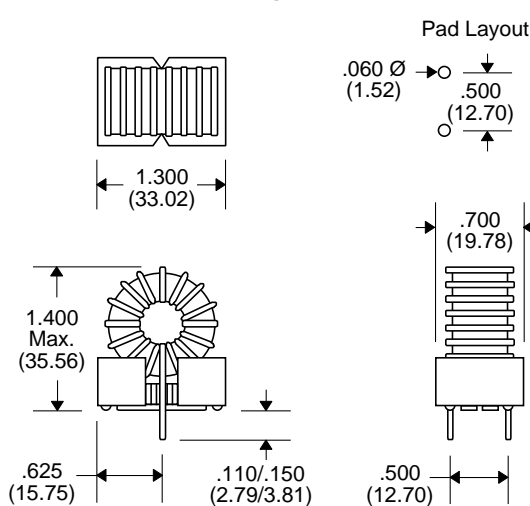
### Applications



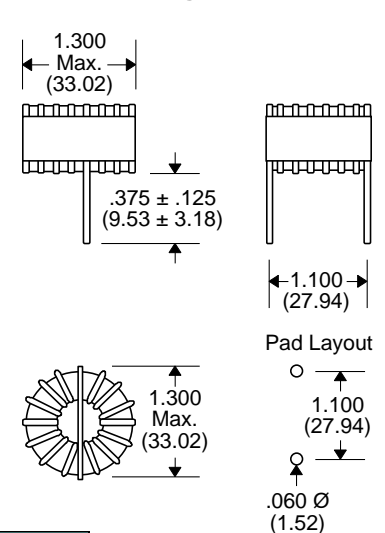
### Package AC5V



### Package AC5



### Package AC5H



Notes :	EPIXXXXXAC5	EPIXXXXXAC5-LF
1. Lead Finish	SnPb	Hot Tin Dip (Sn)
2. Peak Solder Rating (for wave solder process Only)	225 $^{\circ}\text{C}$	260 $^{\circ}\text{C}$
4. Weight	51 grams	51 grams
5. Packaging Information (Tube)	TBD pcs / tube	TBD pcs / tube

Unless Otherwise Specified Dimensions are in Inches /mm  $\pm .010 / .25$