

## EPZ3010GE & EPZ3010GE-LF

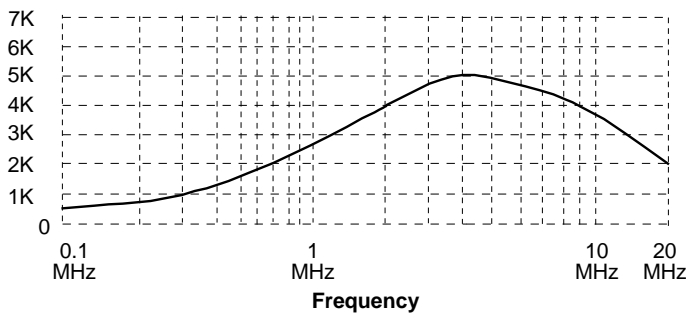


- Used in DC/DC Converter
- Noise suppression Choke
- Add "-LF" after part number for Lead Free
- Operating Temperature : -40°C to 85°C
- 5.60 A Rated Current
- 1500 Vrms Isolation

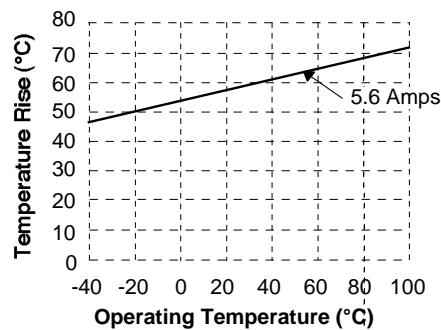
### Electrical Parameters @ 25° C

Inductance (mH ± 25%)	DCR (m Max.)	Turns Ratio	SRF (MHz Typ. )
@10 KHz, 0.1 Vrms	Matched with ± 5%		
Pins 1-2, 3-4	Pins 1-2, 3-4	Pins 1-2 : 3-4	
0.590	20	1 : 1	4.0

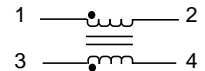
**Impedance Curve**



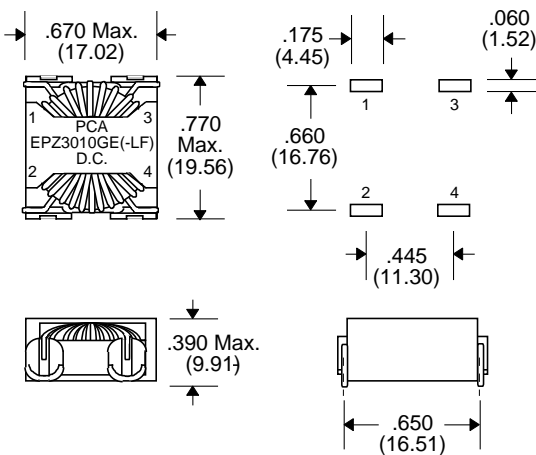
**Temperature Graph**



**Schematic**



**Package**



Notes :	EPZ3010GE	EPZ3010GE-LF
1. Lead Finish	SnPb	Hot Dip Sn or SAC
2. Peak Solder Rating	225°C	260°C
3. Moisture Sensitive Levels (MSL)	1 (Unlimited, 30°C/60%RH)	1 (Unlimited, 30°C/60%RH)
4. Weight	5.2 grams	5.2 grams
5. Packaging Information	(Tube) TBD pcs / tube	TBD pcs / tube

Unless Otherwise Specified Dimensions are in Inches /mm ± .010 / .25