

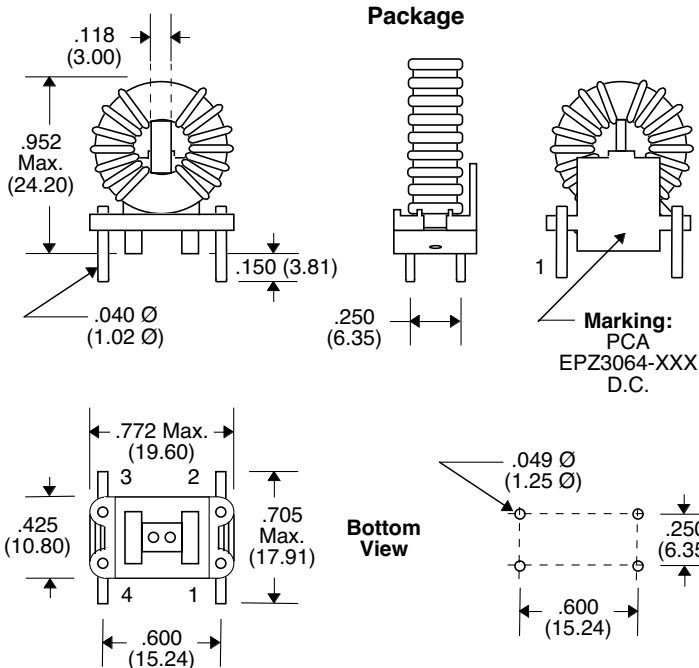
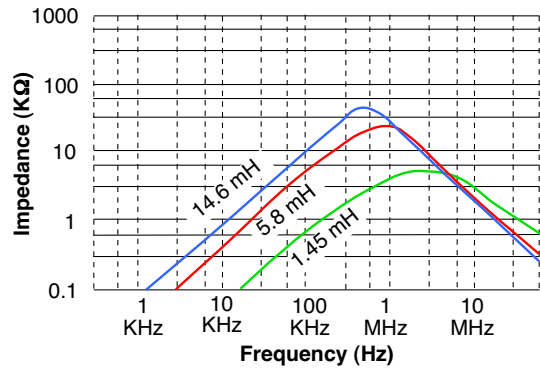
- Used as AC Power Line Filters in CTV, VTR, Audios, PC's, Facsimilies and Power Supply Applications
- UL94V0 Recognized Materials
- Excellent for EMI Suppression
- UL1446 Insulating System
- High Current Ratings

Electrical Parameters @ 25° C

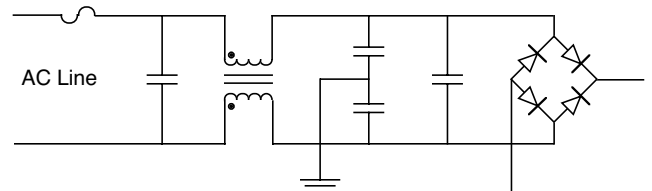
Part Number	Inductance (mH)		Current Rating (A rms Max.)	DCR (Ω Typ.)	Temp. Rise (Typ)
	[Pins 1-2, 4-3] Min.	Typ.			
EPZ3064-102	1.0	1.45	4.8	.019	35
EPZ3064-262	2.6	3.8	2.4	.076	35
EPZ3064-402	4.0	5.8	1.7	.144	34
EPZ3064-552	5.5	7.9	1.4	.206	33
EPZ3064-752	7.5	10.8	1.1	.367	35
EPZ3064-103	10.2	14.6	0.8	.666	34

• Isolation : 3750 Vrms •

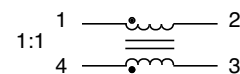
Typical Impedance Characteristics



Circuit Sample



Schematic



Unless Otherwise Specified Dimensions are in Inches /mm $\pm .010 / .25$