

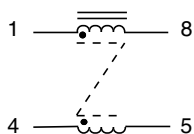
## EPZ4000SE

- Common Mode Attenuation : 200 MHz to 2.5 GHz
- Robust Construction allows for IR/VP processes
- Operating Temperature : -40°C to +85°C

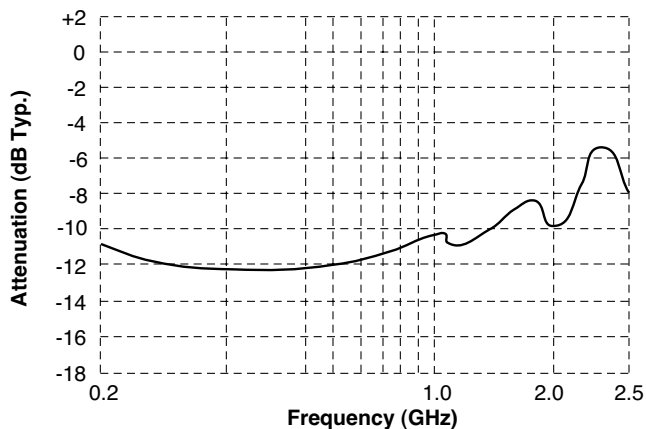
### Electrical Parameters @ 25° C

OCL ( $\mu$ H Typ.)	DCR ( $\Omega$ Max.)
@ 100 KHz, 0.1 Vrms	
5	0.15

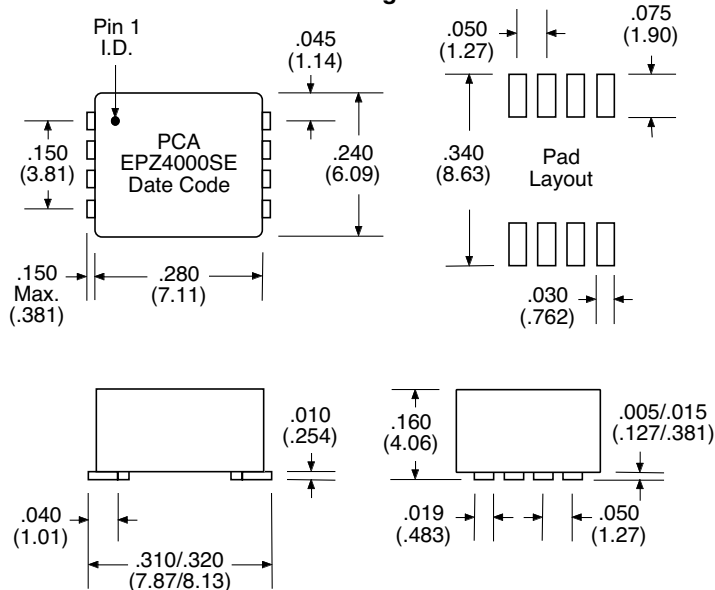
### Schematic



### Attenuation Vs Frequency



### Package



Unless Otherwise Specified Dimensions are in Inches /mm  $\pm$  .010 / .25