

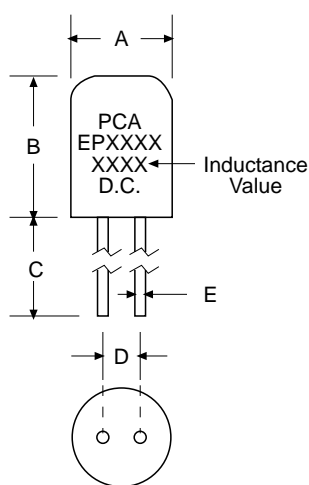
## EP48XX

- For PC Mounted Applications •
- Transfer-Molded Epoxy •
- Meets MIL-C-15305 Grade 1 Class O •
- Inductance Range from 10  $\mu$ H to 100  $\mu$ H •
- L & Q measured with HP4195 •

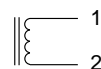
### Electrical Parameters @ 25°C

PCA Part Number	OCL ( $\mu$ H $\pm$ 10%)	DCR ( $\Omega$ Max.)	Test Voltage	Resonant Frequency	DC Current (mA Max.)	Q (Min.)	Test Frequency (MHz)
EP4852	.010	.34	.0005	15 MHz	500	22	3.5 MHz
EP4853	.015	.48	.0005	12.5 MHz	500	21	2.5 MHz
EP2890	.022	.67	.0005	10 MHz	500	20	2.5 MHz
EP4854	.033	.97	.0005	8.2 MHz	500	19	2.5 MHz
EP4855	.047	1.3	.0005	6.8 MHz	500	18	2.5 MHz
EP4856	.068	1.8	.001	5.6 MHz	500	17	2.5 MHz
EP4857	.100	2.55	.001	4.6 MHz	420	17	2.5 MHz
EP4820	.150	3.7	.001	3.7 MHz	330	39	790 KHz
EP3001	.220	5	.001	3.0 MHz	260	38	790 KHz
EP4858	.330	7.3	.005	2.4 MHz	200	38	790 KHz
EP4859	.470	9.9	.005	2.0 MHz	160	37	790 KHz
EP4860	.680	14	.005	1.7 MHz	130	37	790 KHz
EP2629A	1.00	20	.01	1.4 MHz	100	36	790 KHz

### Package



### Schematic



### Dimensions

Dim.	(Inches)			(Millimeters)		
	Min.	Max.	Nom.	Min.	Max.	Nom.
A	.235	.255	.245	5.97	6.48	6.22
B	.335	.355	.345	8.51	9.02	8.76
C	1.50	---	---	38.10	---	---
D	---	---	.100	---	---	2.54
E	.018	.022	.020	.457	.559	.508