

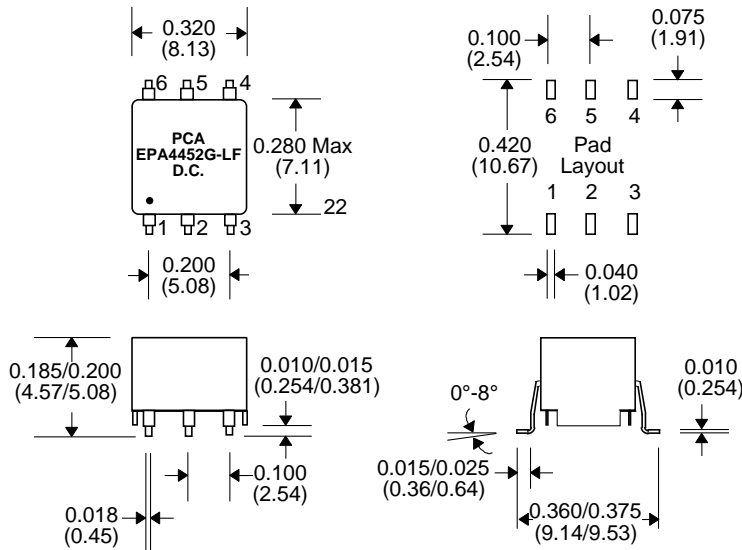


- Design for use with MAXIM MAX253 IC .
- Push-Pull Converter Transformer
- Operating Temperature : -40°C to +125°C
- 2500 Vrms Isolation(380Vrms continuous)
- RoHS Compliant

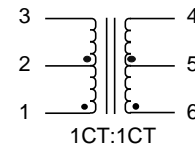
### Electrical Specification @ 25° C

Inductance ( $\mu\text{H} \pm 35\%$ )	Leakage Inductance ( $\mu\text{H Max.}$ )	Capacitance (pF Max.)	DCR ( Max.)		MAX (V- $\mu\text{sec Max.}$ )	Turns Ratio
1020	0.8	30	0.60	0.65	22	1CT:1CT
Pins 1-3	Pins 1-3 with 4-6 shorted	Pins 1,2,3 to 4,5,6	Pins 1-3	Pins 4-6	Pins 1-3	Pins(1:3):Pins(6:4)

### Package



### Schematic



Notes :	EPA4452G-LF
1. Lead Finish	Hot Tin Dip (Sn)
2. Peak Temperature Rating	245°C
3. Moisture Sensitive Levels	MSL = 1
4. Weight	0.365 grams
5. Packaging Information	
	(Tray)
	(Tape & Reel)
	55 pieces/tray
	700 pieces/reel

Unless Otherwise Specified Dimensions are in Inches /mm  $\pm .010 / .25$