

Push-Pull Low Power Transformer EPC3117S-X & EPC3117S-X-LF



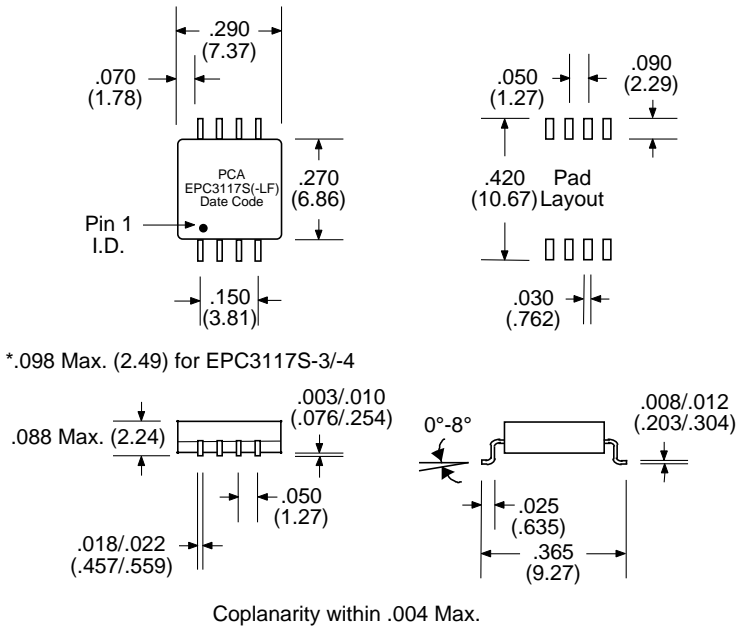
- Designed for use with Maxim MAX 845
- Used in SMPS Push-Pull Topology
- UL 94V-0 Recognized Components
- UL 1446 Class B Insulation System
- Add "-LF" after part number for Lead-Free
- Switching Frequency : 250 KHz-1 Mhz
- 8 Pin SOIC PCMCIA Package
- 700 Vdc Minimum Isolation
- Very Low Core Loss

Electrical Parameters @ 25° C

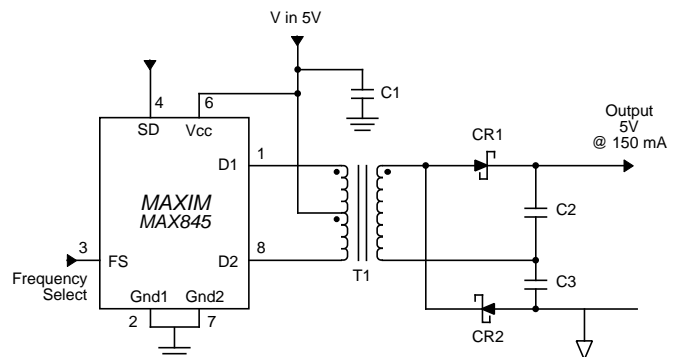
PCA Part Number	Voltage (V)		Primary OCL (µH Typ.)	Turns Ratio (Pri. to Sec.)	ET (V-µSec.) @ 350 KHz	Duty Cycle (%)	Rectification (Half or Full Wave)
	V in	V out					
EPC3117S-1(-LF)	3.3	5	150	1:1:2:2	7.1	75	† Output Center Tap
EPC3117S-2(-LF)	5	5	375	1:1:1.3:1.3	11	75	† Output Center Tap
*EPC3117S-3(-LF)	5	10	375	1:1:1.3:1.3	11	75	Voltage Doubler
*EPC3117S-4(-LF)	5	12	375	1:1:2.67:2.67	11	75	† Output Center Tap
	5	24	375	1:1:3:3	11	80	† Output Center Tap
EPC3117S-5(-LF)	3.3	5	150	1:1:3:3	11	80	Voltage Doubler
EPC3117S-6(-LF)	5	5	375	1:1:1:1	7.1	75	Voltage Doubler
EPC3117S-7(-LF)	5	12	375	1:1:.67:.67	11	75	Voltage Doubler
EPC3117S-8(-LF)	5	15	375	1:1:1.5:1.5	11	80	Voltage Doubler
	5	15	375	1:1:2:2	11	75	Voltage Doubler

• † Connections : Output Center Tap as Common/Return • Operating Temperature : -40°C to +85°C •

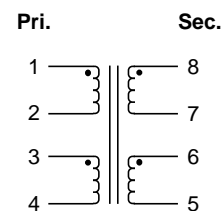
Package



Application



Schematic



Notes :	EPC3117S	EPC3117S-LF
1. Final Lead Finish	SnPb	Hot Dipped Sn or Sn/Cn
2. Peak Temperature Rating	225°C	260°C
3. Weight	0.27 grams	0.27 grams
4. Packaging Information (Tube)	65 pcs / tube	65 pcs / tube
(Tape & Reel)	1200 pcs / 13"reel	1200 pcs / 13"reel

Unless Otherwise Specified Dimensions are in Inches /mm ± .010 / .25