

Flyback Transformer

EPC3479G & EPC3479G-LF

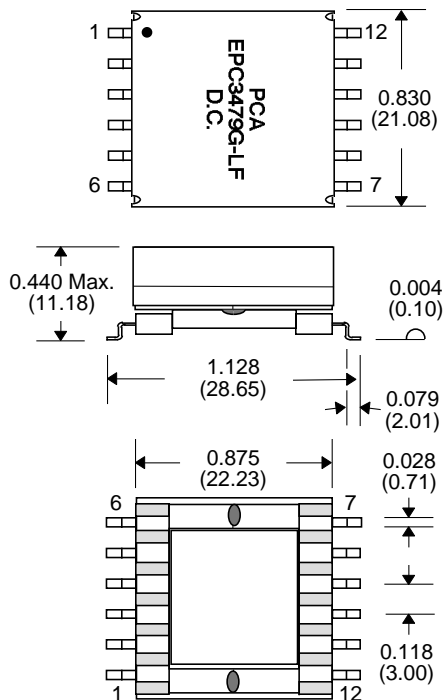


- 25W PoE Applications
- Bobbin : UL94V-0 Recognized Materials
- Storage Temperature : -40°C to +125°C
- Operating Temperature : 0°C to +70°C
- Class 130°C Insulation System
- Duty Cycle : 62% Max.
- Switching Frequency : 250kHz
- Add "-LF" after part for Lead Free

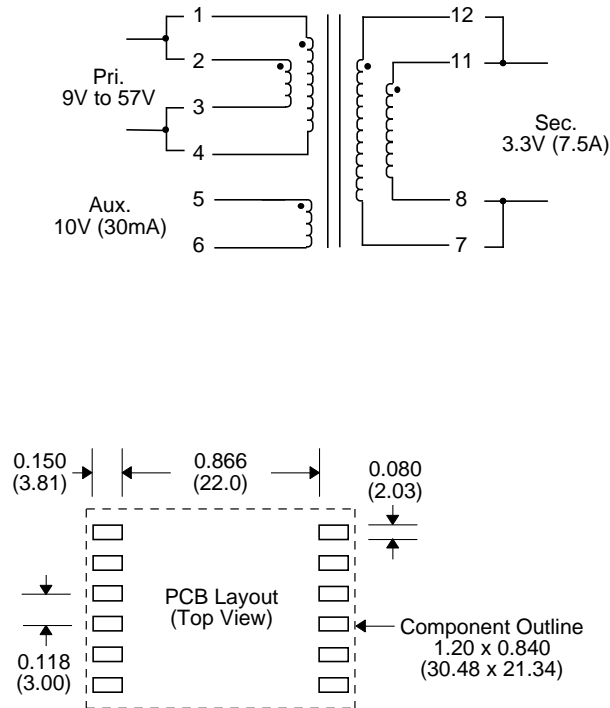
Electrical Parameters @ 25° C

Inductance ($\mu\text{H} \pm 5\%$)	DCR (m Typ.)			Turns Ratio		Cw-w (pF Typ.)	Leakage Inductance (μH Max.)	Dielectric Rating (Vrms)	
	@ 100 KHz, 1.0 Vrms								
9.0	13.5	270	2.4	1:0.25	1:0.75	75	0.300	1500	
	Pri.	Pri.	Aux.	Sec.	Pri.:Sec.	Pri.:Aux.	Pri. to Aux. and Sec.	Pri. w/ Aux. and Sec. shorted	Wdg. - Wdg. Wdgs. - Core

Package



Schematic



Notes :	EPC3479G	EPC3479G-LF
1. Lead Finish	SnPb	Hot Tin Dip (Sn) or SnCu
2. Peak Solder Rating	225°C	260°C
3. Weight	12.9 grams	12.9 grams
4. Packaging Information	(Tube) 25 pcs / tube	25 pcs / tube

Unless Otherwise Specified Dimensions are in Inches /mm ± .010 / .25