

# 25W Flyback Transformer

## EPC3492G & EPC3492G-LF

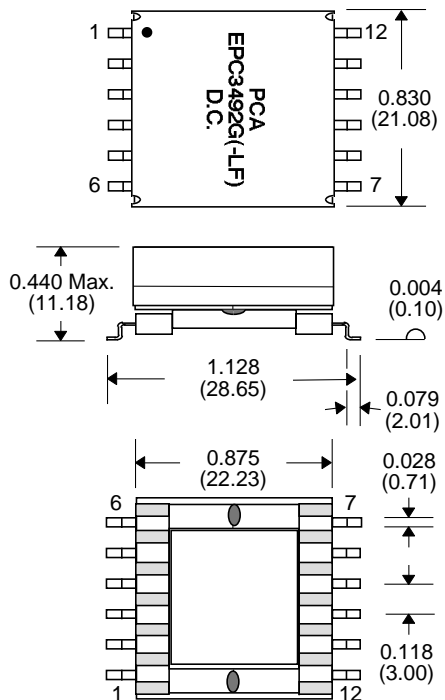


- Designed to work with Linear Tech. LTC4278
- Bobbin : UL94V-0 Recognized Materials
- Storage Temperature : -40°C to +125°C
- Operating Temperature : -40°C to +85°C
- Class 130°C Insulation System
- Duty Cycle : 62% Max.
- Switching Frequency : 250kHz
- Add "-LF" after part for Lead Free

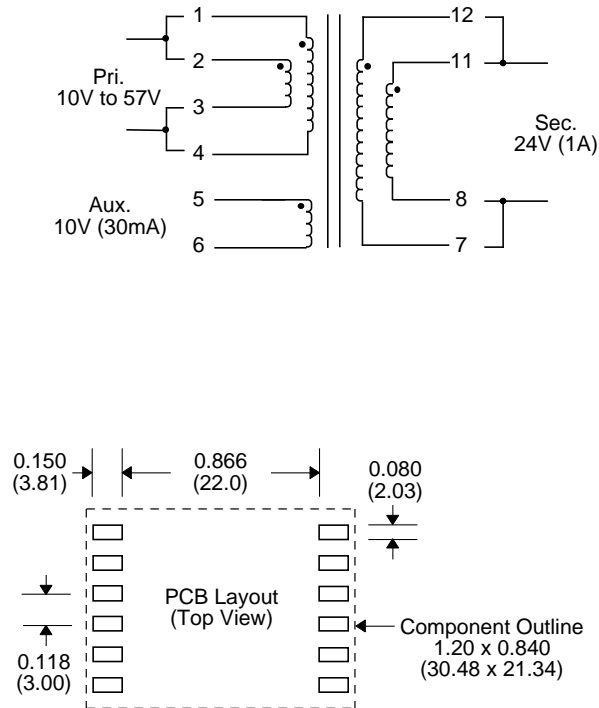
### Electrical Parameters @ 25° C

Inductance ( $\mu\text{H} \pm 5\%$ )	DCR (m Typ.)			Turns Ratio		Cw-w (pF Typ.)	Leakage Inductance ( $\mu\text{H}$ Max.)	Dielectric Rating (Vrms)	
	@ 100 KHz, 1.0 Vrms								
9.0	13.5	280	50	1:1.75	1:0.75	70	0.15	1500	
	Pri.	Pri.	Aux.	Sec.	Pri.:Sec.	Pri.:Aux.	Pri. to Aux. and Sec.	Pri. w/ Aux. and Sec. shorted	Wdg. - Wdg. Wdgs. - Core

### Package



### Schematic



Notes :	EPC3492G	EPC3492G-LF
1. Lead Finish	SnPb	Hot Tin Dip (Sn) or SnCu
2. Peak Solder Rating (for wave solder process Only)	225°C	260°C
3. Weight	13.5 grams	13.5 grams
4. Packaging Information (Tube)	25 pcs / tube	25 pcs / tube

Unless Otherwise Specified Dimensions are in Inches /mm  $\pm .010 / .25$