

25W Flyback Transformer

EPC3546G & EPC3546G-LF

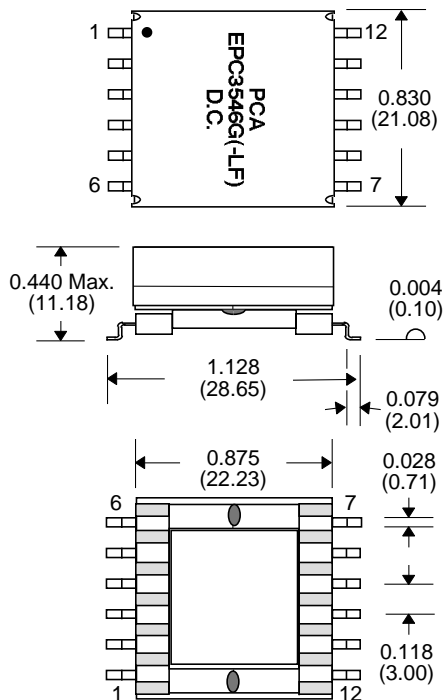


- Designed to work with Linear Tech. LTC4278
- Bobbin : UL94V-0 Recognized Materials
- Storage Temperature : -40°C to +125°C
- Operating Temperature : -40°C to +85°C
- Class 130°C Insulation System
- Duty Cycle : 62% Max.
- Switching Frequency : 250kHz
- Add "-LF" after part for Lead Free

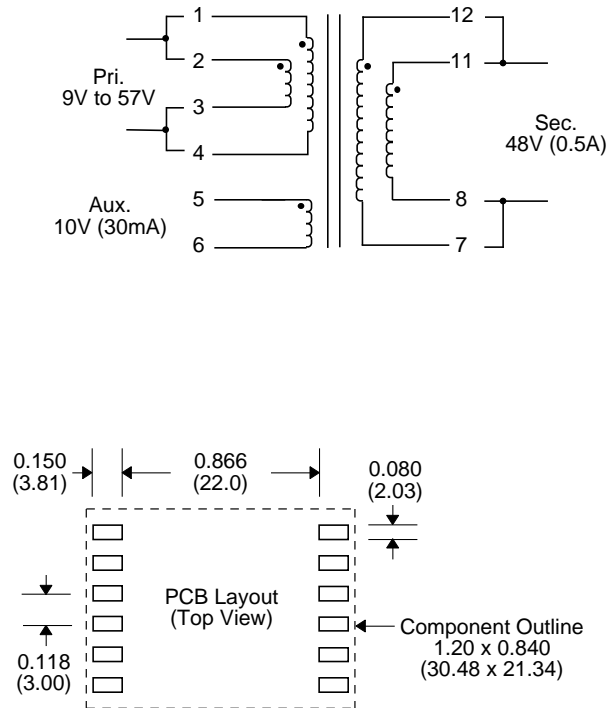
Electrical Parameters @ 25° C

Inductance ($\mu\text{H} \pm 5\%$)	DCR (m Typ.)			Turns Ratio		Cw-w (pF Typ.)	Leakage Inductance (μH Max.)	Dielectric Rating (Vrms)
	@ 100 KHz, 1.0 Vrms					@ 100 KHz, 1.0 Vrms	@ 100 KHz, 1.0 Vrms	
9.5	13.5	280	134	1:3.375	1:0.75	95	0.25	1500
Pri.	Pri.	Aux.	Sec.	Pri.:Sec.	Pri.:Aux.	Pri. to Aux. and Sec.	Pri. w/ Aux. and Sec. shorted	Wdg. - Wdg. Wdgs. - Core

Package



Schematic



Notes :	EPC3546G	EPC3546G-LF
1. Lead Finish	SnPb	Hot Tin Dip (Sn) or SnCu
2. Peak Solder Rating (for wave solder process Only)	225°C	260°C
3. Weight	13.5 grams	13.5 grams
4. Packaging Information (Tube)	25 pcs / tube	25 pcs / tube

Unless Otherwise Specified Dimensions are in Inches /mm $\pm .010 / .25$