

# Flyback Transformer

## EPC3633G-LF

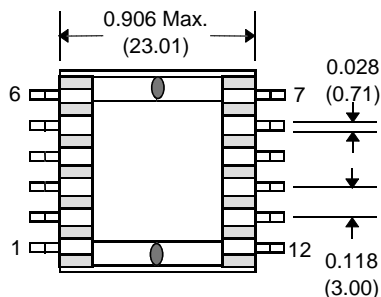
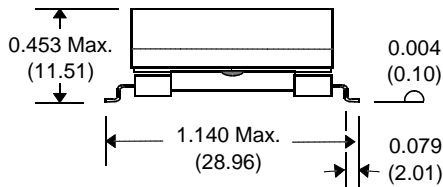


- Bobbin : UL94V-0 Recognized Materials
- Storage Temperature : -40°C to +125°C
- Operating Temperature : -40°C to +125°C
- Switching Frequency : 250 KHz

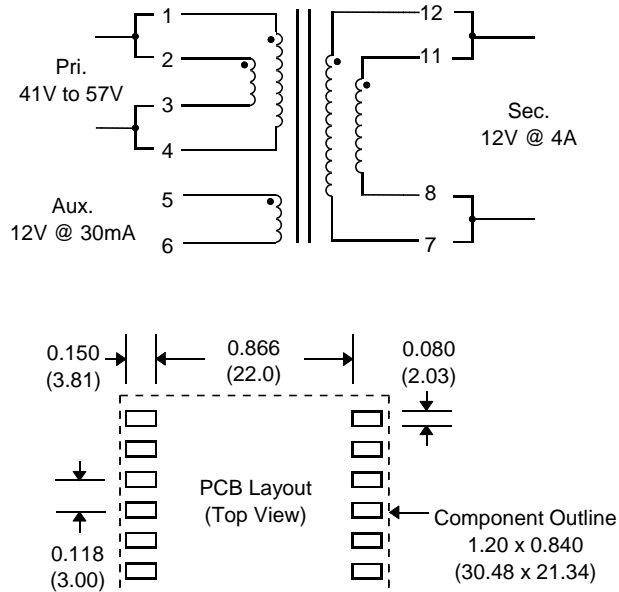
### Electrical Parameters @ 25°C

Inductance ( $\mu\text{H} \pm 5\%$ )	Leakage Inductance ( $\mu\text{H} \text{ Max.}$ )	Cw-w (pF Max.)	Turns Ratio	DCR (m $\Omega$ Typ.)			Dielectric Rating (Vrms)	IR (Vdc)
				Pri.	Aux.	Sec.		
@ 100 KHz, 1.0 Vrms	@ 100 KHz, 1.0 Vrms	@ 100 KHz, 1.0 Vrms					60 secs.	2M $\Omega$ Min.
18	0.300	150	1 : 0.5 : 0.5	20	550	10	1500	500
Pri.	Pri. w/ Aux. and Sec. shorted	Pri. to Aux. and Sec.	Pri. : Sec. : Aux.	Pri.	Aux.	Sec.	Wdg. - Wdg. Wdgs. - Core	Wdg. - Wdg.

### Package



### Schematic



Notes :	EPC3633G-LF
1. Lead Finish	Hot Tin Dip (Sn) or SnCu
2. Peak Solder Rating (for wave solder process Only)	260°C
3. Weight	TBD
4. Packaging Information (Tray)	40 pcs / Tray

Unless Otherwise Specified Dimensions are in Inches /mm  $\pm .010 / .25$