

Flyback Transformer

EPC3678GE-LF

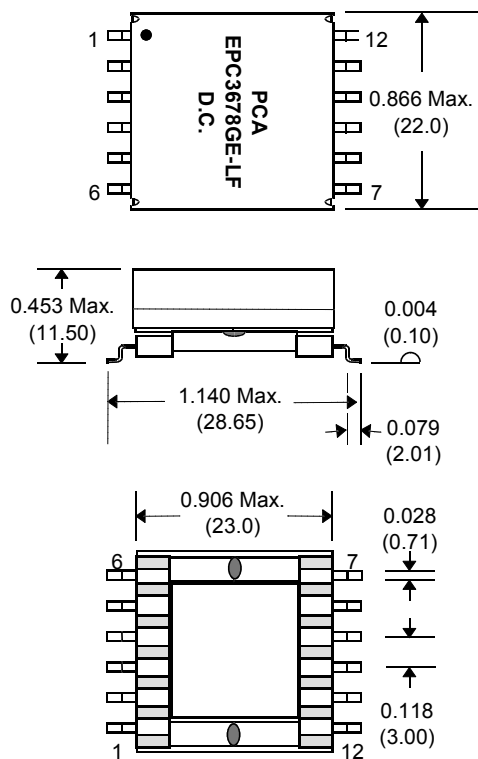


- UL 94V-0 Recognized Materials
- UL 1446 Class F Insulation System
- Storage Temperature : -40°C to +125°C
- Operating Temperature : -40°C to +125°C

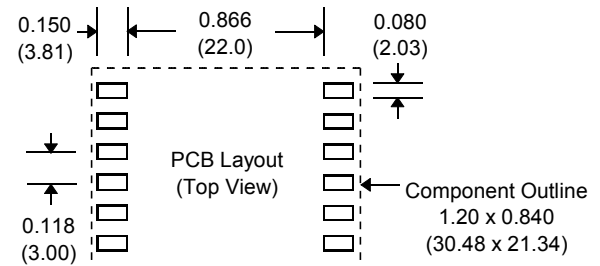
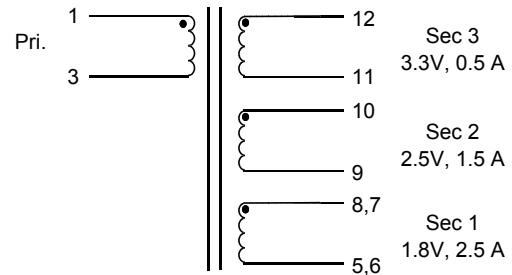
Electrical Parameters @ 25° C

Inductance ($\mu\text{H} \pm 10\%$)	Leakage Inductance (μH Max.)	Ipk (Amps)	DCR (Ω Max.)					Turns Ratio		Dielectric Rating (Vrms)
			Pins 1 - 3	Pins 8 - 5	Pins 7 - 6	Pins 10 - 9	Pins 12 - 11	Pri : Sec1	Pri : Sec2, Sec3	
@ 200 KHz, 1.1 Vrms	@ 100 KHz, 1.0 Vrms									
221	5.1	1.5	0.420	0.013	0.013	0.015	0.030	9.6 : 1	24 : 1	1500
Pri.	Pri. w/ Secs. shorted									Wdg. - Wdg. Wdgs. - Core

Package



Schematic



Notes :	EPC3678GE-LF
1. Lead Finish	Hot Tin Dip (Sn) or SnCu
2. Peak Solder Rating (for wave solder process Only)	260°C
3. Moisture Sensitivity Level (MSL)	1
4. Weight	TBD grams
5. Packaging Information (Tray)	40 pcs / Tray

Unless Otherwise Specified Dimensions are in Inches /mm $\pm .010 / .25$