

Forward Transformer

EPC3682GE-LF

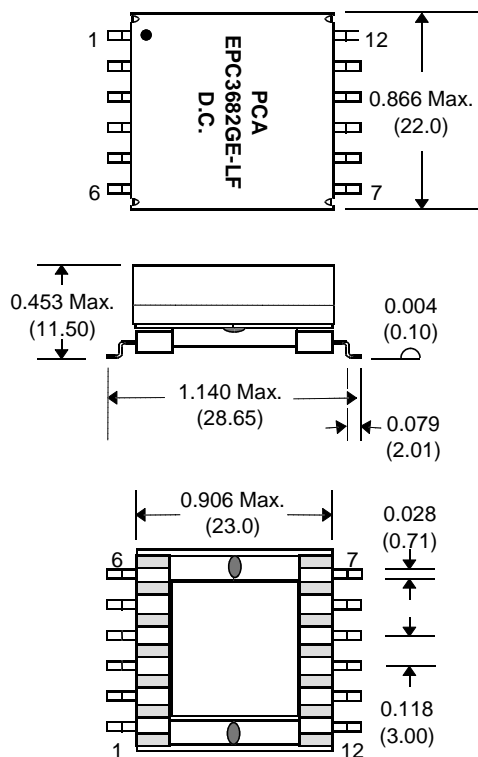


- UL 94V-0 Recognized Materials
- Storage Temperature : -40°C to +125°C
- Operating Temperature : -40°C to +125°C
- Switching Frequency : 250 KHz

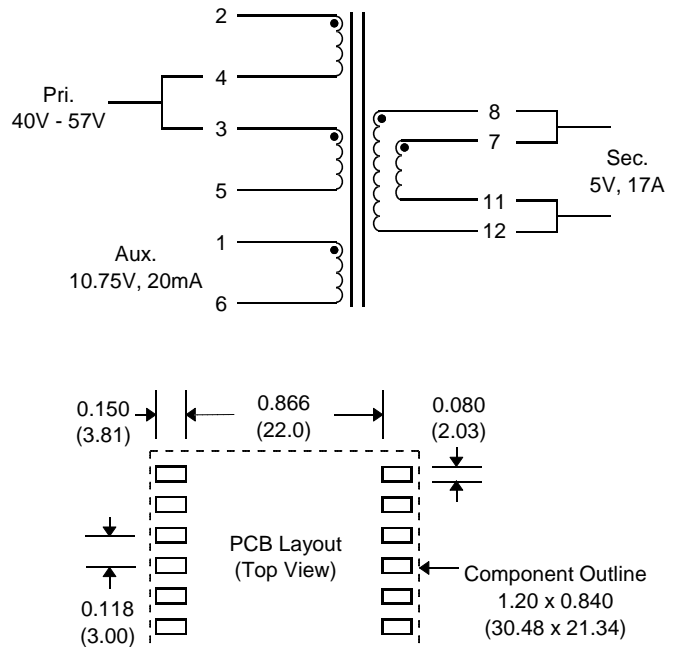
Electrical Parameters @ 25°C

Inductance (μ H Min.)	Leakage Inductance (μ H Max.)	DCR (Ω Max.)				Turns Ratio	Dielectric Rating (1 sec.)	
		Pins 1 - 6	Pins 2 - 5	Pins 7 - 11	Pins 8 -12		Vdc	Vac
@ 10 KHz, 0.1 Vrms	@ 100 KHz, 0.1 Vrms					$\pm 2\%$		
175	1.0	0.225	0.050	0.020	0.020	1 : 0.289 : 0.641	3000	625
Pri. (Pins 2 - 5)	Pins 2-5 w/ all other windings shorted					Pri. : Sec. : Aux.	Pri & Aux. - Sec.	Pri - Aux.

Package



Schematic



Notes :	EPC3682GE-LF
1. Lead Finish	Hot Tin Dip Sn or SnCu
2. Peak Solder Rating	260°C
3. Moisture Sensitivity Level (MSL)	1
4. Weight	TBD grams
5. Packaging Information (Tray)	40 pcs / Tray

Unless Otherwise Specified Dimensions are in Inches /mm $\pm .010 / .25$