



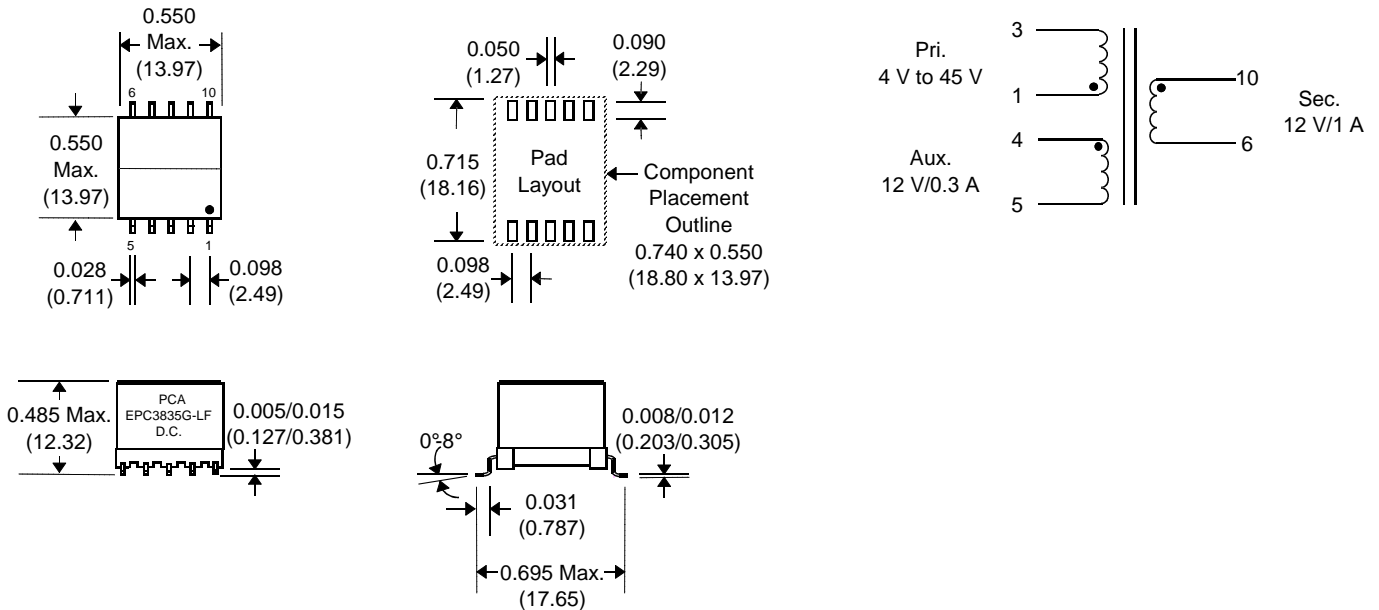
- Designed to work with Onsemi NCV12711
- Storage Temperature : -40 °C to +125 °C
- Operating Temperature : -40 °C to +85 °C
- Switching Frequency : 100 kHz
- I_{peak} : 9 A Max.
- Small Size and Cost Effective
- Lead Free

Electrical Parameters @ 25 °C

Primary OCL ($\mu\text{H} \pm 10\%$)	Leakage Inductance ($\mu\text{H Typ.}$)	Turns Ratio	DCR ($\text{m}\Omega \text{ Typ.}$)			Isolation (Vrms)
@ 100 KHz, 1.0 Vrms	@ 100 KHz, 1.0 Vrms	Pri. : Aux. : Sec.				@ 60 secs.
5.0	0.100	1 : 1.6 : 1.6	16.0	310.0	47.5	1500
Pins 1 - 3	Pri. with Aux. & Sec. shorted	Pins 1 - 3 : 4 - 5 : 10 - 6	Pins 1 - 3	Pins 4 - 5	Pins 10 - 6	Pri./Aux. - Sec.

Package

Schematic



Notes :	EPC3835G-LF
1. Lead Finish	Hot Dipped Sn or SnCu
2. Peak Solder Rating	245 °C
3. Weight	6.45 grams
4. Packaging Information	Tape & Reel : 200 pieces/13" reel

Unless Otherwise Specified Dimensions are in Inches /mm ± .010 / .25