

Miniature 10Base-T Interface Module with Enhanced CMA ECT10 & ECT10-RC



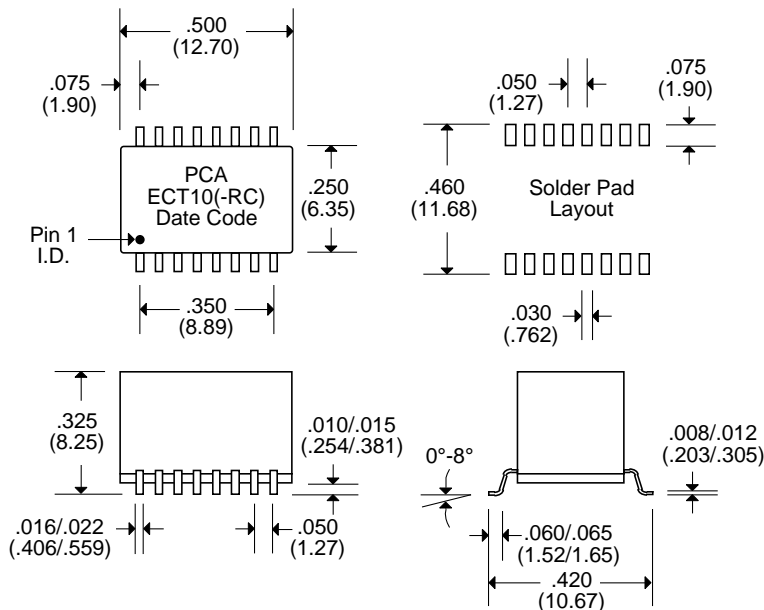
- Enhanced Common Mode Attenuation
- Complies with or exceed IEEE802.3, 10Base-T Requirements
- Robust design allows to withstand SMD soldering profiles
- Add "-RC" after part number for RoHS Compliant

Electrical Parameters @ 25° C

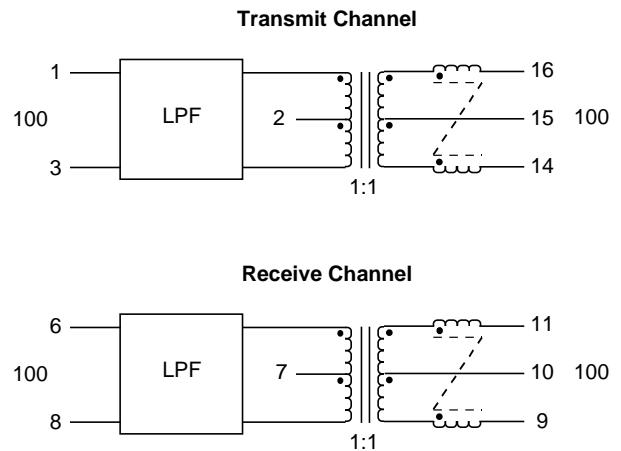
Cut-off Frequency (MHz)		Insertion Loss (1) (dB Max.)		Attenuation (dB Min.)							
± 1.0 MHz		1-10 MHz		@ 20 MHz		@ 25 MHz		@ 30 MHz		@ 40 MHz	
Xmit	Rcv	Xmit	Rcv	Xmit	Rcv	Xmit	Rcv	Xmit	Rcv	Xmit	Rcv
17	17	-1.5	-1.5	-7	-6	-19	-14	-32	-20	-35	-31

• (1) Referenced to the Output Level Fundamental Frequency @ 5 MHz •

Package



Schematic



Notes :	ECT10	ECT10-RC
1. Lead Finish	SnPb	Hot Tin Dip (Sn) †
2. Peak Temperature Rating	225°C	245°C
3. Moisture Sensitive Levels	MSL = 3 (168 Hours, 30°C/60%RH)	MSL = 4 (72 Hours, 30°C/60%RH)
4. Weight	0.84 grams	0.84 grams
5. Packaging Information (Tube)	39 pieces/tube	39 pieces/tube
(*Add "TR" to end of part number, but in front of "-RC" when placing order) (Tape & Reel)	600 pieces/13" reel (*ECT10TR)	600 pieces/13" reel (*ECT10TR-RC)

† Hot tin dipped over Matte Tin with Ni Barrier

Unless Otherwise Specified Dimensions are in Inches /mm ± .010 / .25