

10/100Base-TX Interface Module with Enhanced Common Mode Attenuation

EPF8143SE & EPF8143SE-RC

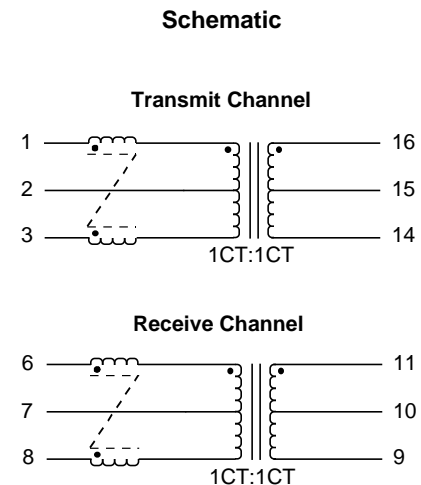
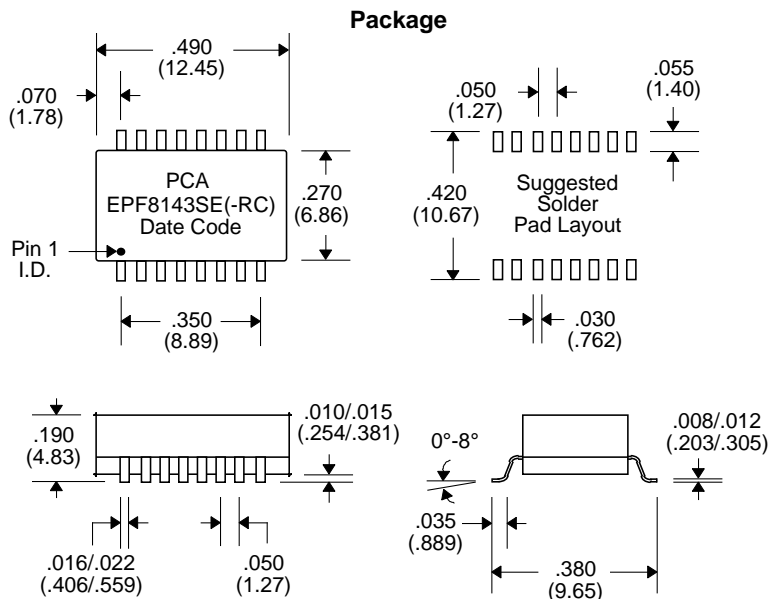


- Recommended for Enable EL40C331, Broadcom BCM5201, BCM5202 & Level One LXT970 when connected per appropriate schematic
- Designed to operate from -40°C to +85°C @ 8 mA DC Bias
- Complies with or exceeds IEEE 802.3 & ANSI X3.263 Standards
- Add "-RC" after part number for RoHS Compliant
- Peak Solder Rating (see Note 2)

Electrical Parameters @ 25° C

| OCL @ 70°C | Insertion Loss (dB Max.) | | Return Loss (dB Min.) | | | Common Mode Rejection (dB Min.) | | | Crosstalk (dB Min.) |
|---------------|--------------------------------------|----------------|--------------------------|-------------|-----------|------------------------------------|-------------|---------------|------------------------|
| | 100 KHz, 0.1 Vrms 8 mA DC Bias | 0.1-100 MHz | 150 MHz | 1-30 MHz | 60 MHz | 100 MHz | 1-30 MHz | 30-100 MHz | |
| | Xmit/Rcv | Xmit/Rcv | Xmit/Rcv | Xmit/Rcv | Xmit/Rcv | Xmit/Rcv | Xmit/Rcv | Xmit/Rcv | Xmit/Rcv |
| 350 µH | -1/-1 | -3/-3 | -18/-18 | -12/-12 | -10/-10 | -40/-40 | -35/-30 | -10/-10 | -35 |

• Isolation : 1500 Vrms • Impedance : 100 • Rise Time : 3.0 nS Max. •



| Notes : | EPF8143SE | EPF8143SE-RC |
|------------------------------|------------------------------------|-----------------------------------|
| 1. Lead Finish | SnPb | Hot Dipped Sn or SAC |
| 2. Peak Temperature Rating | 225°C | 260°C |
| 3. Moisture Sensitive Levels | MSL = 3 (168 Hours, 30°C/60%RH) | MSL = 4 (72 Hours, 30°C/60%RH) |
| 4. Weight | 0.912 grams | 0.912 grams |
| 5. Packaging Information | (Tube) | 40 pieces/tube |
| | (Tape & Reel) | 650 pieces/13" reel |

Unless Otherwise Specified Dimensions are in Inches /mm ± .010 / .25