



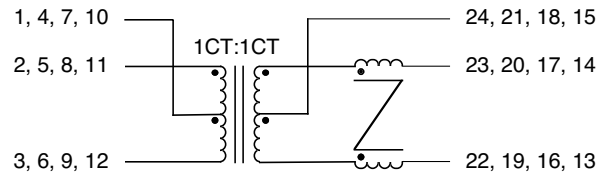
- Complies with or exceeds IEEE 802.3ab 1000Base-T
- Guaranteed to operate with 10/100Base-TX
- 1500 Vrms Isolation

### Electrical Parameters @ 25° C

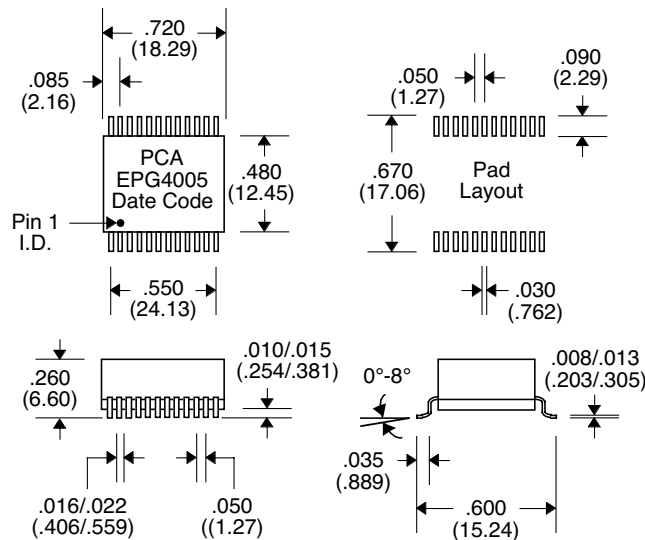
OCL ( $\mu$ H Min.)	Insertion Loss (dB Max.)			Return Loss (dB Min.)				CMRR (dB Min.)	Common to Differential (dB Min.)				Cross talk (dB Min.)		
	1-65 MHz	65-100 MHz	100-125 MHz	1-40 MHz	60 MHz	80 MHz	100 MHz	1-80 MHz	1 MHz	30 MHz	50 MHz	100 MHz	1-40 MHz	60 MHz	100 MHz
@ 100 KHz, 0.1 Vrms 8 mA DC bias 350 (Media Side)	-1	-1.1	-1.5	-18	-15	-12	-10	-30	-60	-40	-35	-30	-40	-35	-30

• Rise Time : 1.75 nS Max. • Impedance : 100  $\Omega$  •

### Schematic



### Package



Unless Otherwise Specified Dimensions are in Inches /mm  $\pm$  .010 / .25