



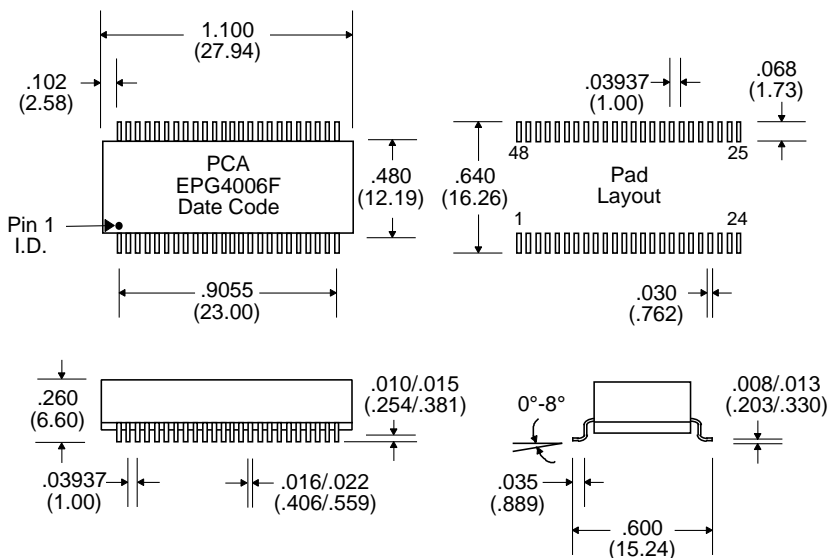
- Complies with or exceeds IEEE 802.3 1000Base-T Standards
- Guaranteed to operate with 8 mA DC Bias at 0°C to +70°C
- Add "-RC" after part number for RoHS Compliant
- Transfer Molded Part
- 1500 Vrms Isolation

Electrical Parameters @ 25° C

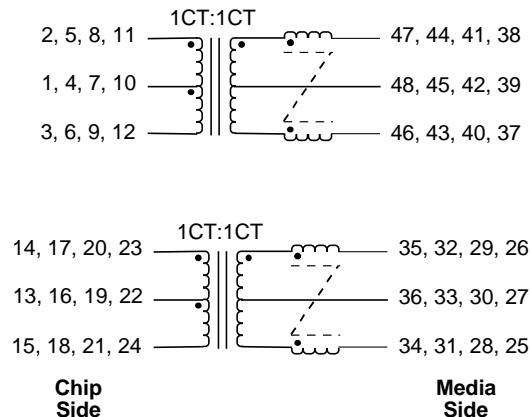
OCL (μ H Min.)	Insertion Loss (dB Max.)			Return Loss (dB Min.)				CMRR (dB Min.)	Crosstalk (dB Min.)		
	1-65 MHz	65-100 MHz	100-125 MHz	1-40 MHz	60 MHz	80 MHz	100 MHz		1-40 MHz	60 MHz	100 MHz
@ 100 KHz, 0.1 Vrms 8 mA DC Bias											
350 (Media Side)	-1.0	-1.1	-1.5	-18	-15	-12	-10	-30	-40	-35	-30

• Impedance : 100 •

Package



Schematic



Notes :	EPG4006F	EPG4006F-CR
1. Lead Finish	SnPb	Hot Dipped Sn or SnCu
2. Peak Temperature Rating	225°C	245°C
3. Moisture Sensitive Levels	MSL = 3	MSL = 3
4. Weight	5.12 grams	5.12 grams
5. Packaging Information	(Tube)	19 pieces/tube
	(Tape & Reel)	350 pieces/13" reel
	(Tube)	19 pieces/tube
	(Tape & Reel)	350 pieces/13" reel

Unless Otherwise Specified Dimensions are in Inches /mm ± .010 / .25