

## EPG4254JE-LF



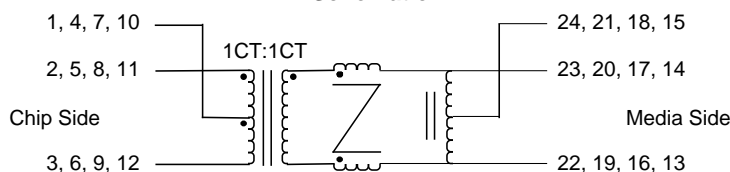
- Smallest Gigabit Magnetic Module
- Guaranteed to operate with 10/100Base-TX
- Ideal for Multiport 10/100Base-TX as Gigabit Solutions
- Complies with or exceeds IEEE 802.3ab 1000Base-T
- Suitable for Auto MDIX 10/100Base-TX Applications
- Operating Temperature Range : -40°C to +85°C
- Enhanced Common Mode Choke

### Electrical Parameters @ 25° C

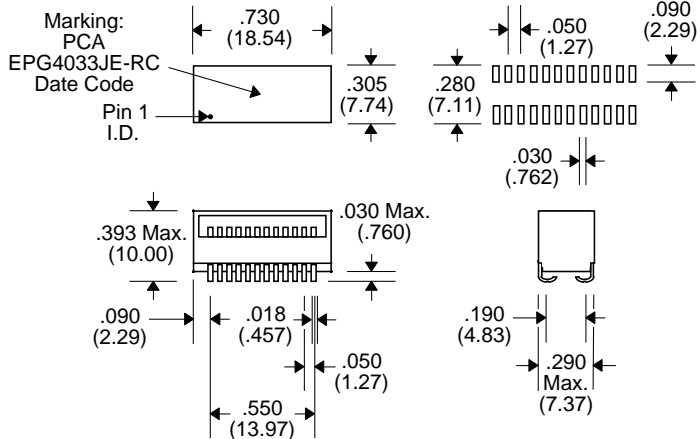
OCL ( $\mu$ H Min.)	Insertion Loss (dB Max.)			Return Loss (dB Min.)				CMRR (dB Min.)	Common to Differential (dB Min.)				Crosstalk (dB Min.)		
	@ 100 KHz, 0.1 Vrms 8 mA DC bias	1-65 MHz	65-100 MHz	100-125 MHz	1-40 MHz	60 MHz	80 MHz	100 MHz	1-80 MHz	1 MHz	30 MHz	50 MHz	100 MHz	1-40 MHz	60 MHz
350 (Media Side)	-1	-1.1	-1.5	-18	-15	-12	-10	-30	-60	-40	-35	-30	-40	-35	-30

• Isolation : 1500 Vrms • Rise Time : 1.75 nS Max. • Impedance : 100 •

### Schematic



### Package



Notes :	EPG4033-RC
1. Lead Finish	Hot Tin Dip (Sn) †
2. Peak Temperature Rating	245°C
3. Moisture Sensitive Levels	MSL = 1
4. Weight	5.6 grams
5. Packaging Information	(Tube)
	(Tape & Reel)
	28 pieces/tube
	350 pieces/13" reel

† Lead Material : Ni Barrier over Cu

Unless Otherwise Specified Dimensions are in Inches /mm ± .010 / .25