

Forward Transformer

EPC3577G-LF

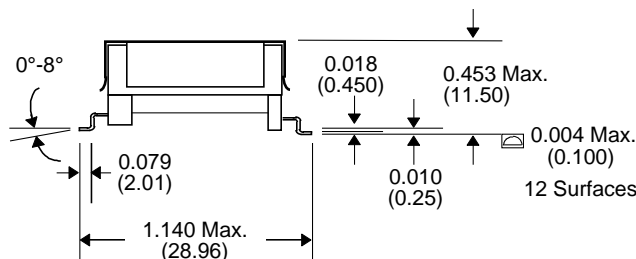
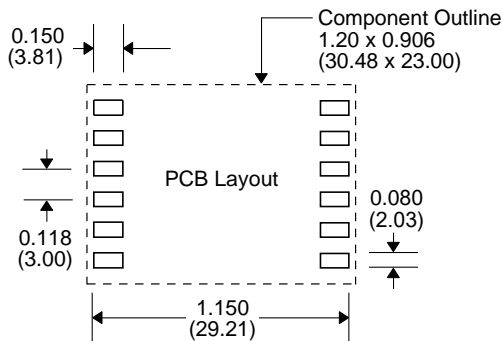
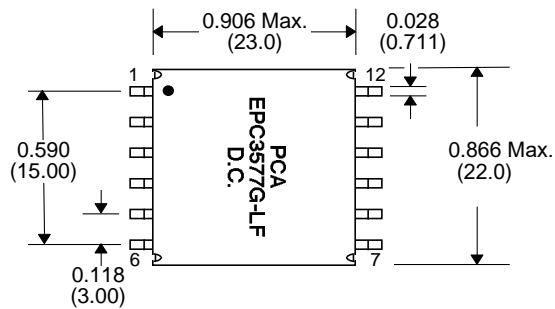


- 90W PoE Synchronous Forward Transformer
- Designed to work with Linear Technology LT4276A
- Lead free
- Class B Insulation System
- Switching Frequency: 200kHz
- Duty Cycle: 65% Max.
- Switching Ipeak: 7A
- Operating Temperature: -40°C to +125°C
- Storage Temperature: -40°C to +125°C

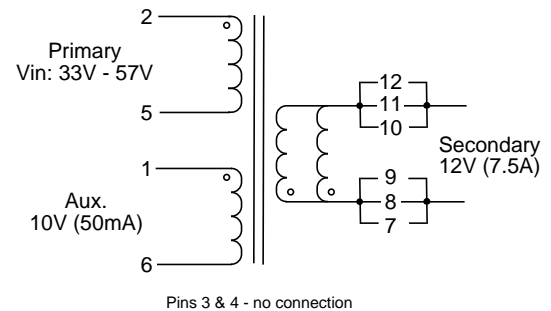
Electrical Parameters @ 25°C

| Inductance ($\mu\text{H} \pm 10\%$) | Leakage Inductance (μH Max.) | Interwinding Capacitance (pF Max.) | DCR (m Max.) | | | Turns Ratio | Hipot (Vrms) | |
|--|---|---------------------------------------|-----------------|------|-----------|-----------------|-----------------|---------------------|
| | | | Primary | Aux. | Secondary | | Wdgs. to Core | Pri. & Aux. to Sec. |
| @100kHz, 1.0Vrms | @100kHz, 0.1Vrms | @100kHz, 0.1Vrms | | | | | 60Hz, 60 secs | |
| 180 | 0.45 | 250 | 25 | 200 | 10 | 1.5:0.875:1 | 1500 | 1500 |
| Primary | Primary with Aux. & Sec. shorted | Primary to Aux. & Secondary | Primary | Aux. | Secondary | Pri.: Aux.: Sec | Wdgs. to Core | Pri. & Aux. to Sec. |

Package



Schematic



| Notes | EPC3577G-LF |
|---------------------------------|---------------|
| 1. Lead Finish | Pb-Free |
| 2. Peak Solder Rating | 260°C |
| 3. Weight | 14.6 grams |
| 4. Packaging Information (Tray) | 40 pcs./ Tray |

Unless Otherwise Specified Dimensions are in Inches /mm ± .010 / .25