

# Forward Transformer

## EPC3789G-LF



- 25W PoE Applications
- Switching Frequency: 225kHz
- Duty Cycle: 70% max.
- Class 155°C Insulation System
- Operating Temperature: -40°C to +130°C
- Storage Temperature: -40°C to +130°C

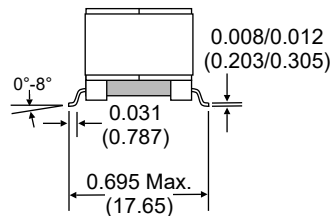
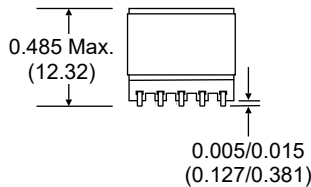
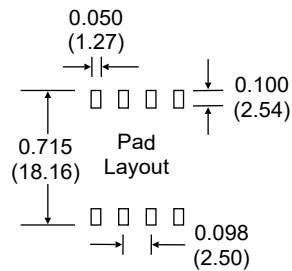
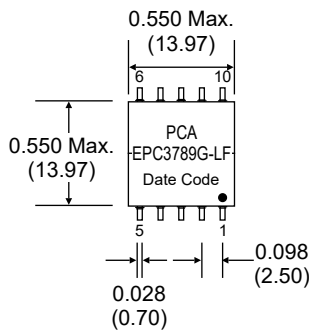
### Electrical Specifications @25°C

Inductance <sup>1</sup> ( $\mu\text{H} \pm 28\%$ )	Le <sup>2</sup> ( $\mu\text{H max.}$ )	DCR ( $\text{m}\Omega \text{ max.}$ )			Turns Ratio Pri.:Sec.:Aux.	Isolation (Vrms)
		Pri.	Sec.	Aux.		
Pri.	Pri.	Pri.	Sec.	Aux.	Pri.:Sec.:Aux.	Pri./Aux. To Sec.
429.3	0.5	68	6.75	970	3.6 : 1.0 : 2.4	1500

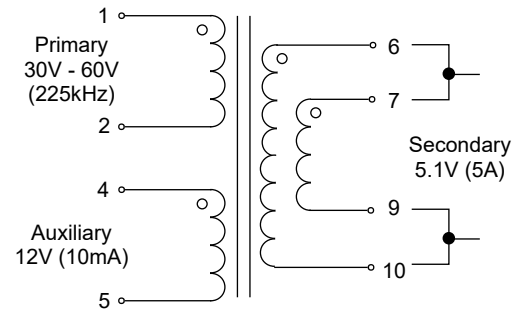
Notes:

1. Primary inductance measured at 100kHz; 1.0Vrms
2. Leakage inductance measured at 100kHz; 1.0Vrms with Sec. & Aux. windings shorted

### Dimensions



### Schematic



- Product weight: 6.6 gms.
- Lead Finish: Hot Dipped Sn or SnCu
- Moisture sensitivity level: 1
- Resistance to solder heat: 245°C
- Ordering Information:  
Tape & Reel (200pcs. / 13"Reel)

Unless Otherwise Specified Dimensions are in Inches /mm  $\pm .010 / .25$

Product performance is limited to specified parameters. Data is subject to change without prior notice.