

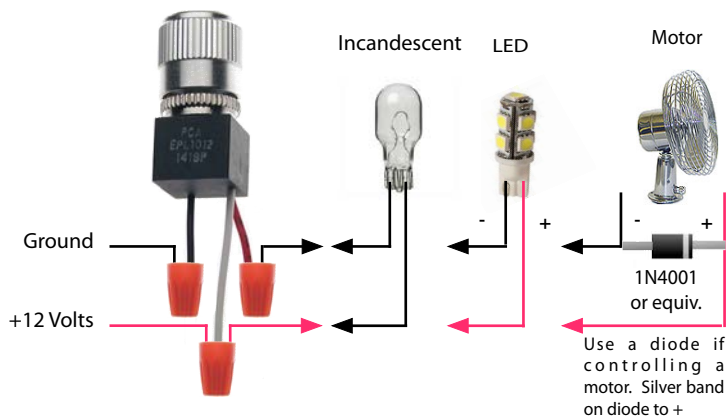
## Quick-Start Guide

1. Use this Simplified Hookup if your lamp or LED is grounded at the socket and all you have is 2 wires from the switch.
2. Connecting the red and black wires directly across 12 Volts will instantly burn out the dimmer!
3. PULL the knob straight off the dimmer to remove it.
4. Remove the switch.
5. Connect the Dimmer BLACK wire to the LED RED wire or one of the incandescent lamp wires.
6. Connect the Dimmer RED and WHITE wires together and to the +12 Volt power wire.

## Quick-Start Guide LED

1. Use this Hookup for LEDs if you have both wires from the LED available and one side is not grounded.
2. Connecting the red and black wires directly across 12 Volts will instantly burn out the dimmer!
3. PULL the knob straight off the dimmer to remove it.
4. Remove the switch.
5. Connect the Dimmer RED wire to the LED BLACK wire.
6. Connect the Dimmer WHITE wire to the LED RED wire and to +12 Volts.
7. Connect the Dimmer BLACK wire to ground or the negative power wire.

## Hookup for Incandescent Lamp, LED, or Motor



Technical support available at 888 892-0761 x126

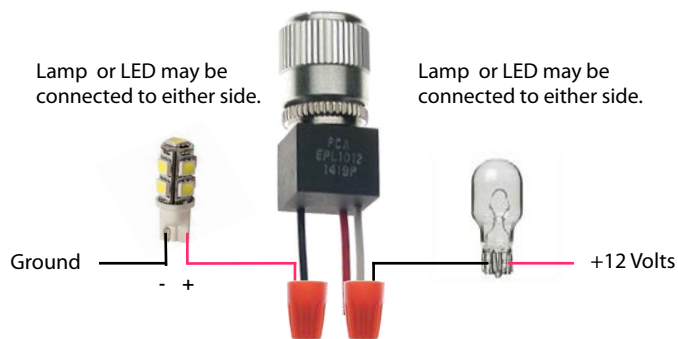
### LIMITED ONE YEAR WARRANTY

If within one (1) year from the date of purchase, the product fails due to a defect in material or workmanship, PCA Electronics, Inc. will repair or replace it free of charge. PCA ELECTRONICS, INC. WILL NOT BE LIABLE FOR INCIDENTAL OR CONSEQUENTIAL DAMAGES TO PURCHASER, OR ANY OTHER PARTY, FOR ANY LOSS, DAMAGE, INJURY OR EXPENSE OF ANY KIND OR NATURE CAUSED DIRECTLY OR INDIRECTLY BY THE PRODUCT OR THE FAILURE OF THE PRODUCT TO OPERATE PROPERLY.

Warranty service is available by mailing postage prepaid to PCA Electronics, Inc. 16799 Schoenborn St. North Hills, CA 91343. A valid copy of original invoice and Return Merchandise Authorization (or RMA) are required for all warranty services.

Rev. R25 R

## Simplified Hookup for Incandescent Lamp or LED



## EPL101x Series 12 V DC Dimmer Installation Instructions

**Connecting the Red and Black wires directly across 12 Volts will instantly burn out the Dimmer!**  
**Pull the control knob straight off of the Dimmer to remove it. DO NOT TWIST TO REMOVE!**

1. Turn off the power.
2. Remove light fixture to expose wiring.
3. Un-mount the existing switch from the light fixture.
4. Remove the switch and the wire-nuts or 'crimp-ons' from all wires.
5. Pull the control knob off of the Dimmer shaft for this step, if you have not already done so. Mount the Dimmer in the light fixture using the thumb nut provided. The Dimmer will center itself in the mounting hole.
6. Press the control knob back onto the shaft. Pressing too far may cause the knob to bind. You may have to rotate the knob slightly to have it slide on easily. The knob should rotate smoothly.
7. Rotate the knob fully counter-clockwise to the off position before continuing with the next step.
8. Connect the RED wire of the Dimmer to the BLACK wire of the LED (or either one of the incandescent lamp wires). (See diagrams on back.)
9. Connect the WHITE wire of the Dimmer to the RED wire of the LED (or the other incandescent lamp wire) and to the fused positive +12 volt power source.
10. Connect the BLACK wire of the Dimmer to the Ground wire or the RV Ground.
11. Turn on the power to test the system.
12. Rotate the knob about 1/4 turn. The light should be dim. If the light is on full brightness and will not dim, the Dimmer's BLACK and RED wires might be reversed. If the lamp does not light at all, the Dimmer's BLACK and WHITE wires might be reversed.
13. Rotate the knob through its full range and check to see that the lamp goes to full brightness.
14. Turn off the power and re-assemble the light fixture.
15. Turn the power back on and enjoy your new Dimmer.

### Important Notes

Use a voltmeter to test and verify which RV wire color is the +12 volt and which is the Ground wire.

About wire colors: RV 12 volt wiring does not always follow the same standard. We found that the most common colors for RVs are BLACK for the +12 volts and WHITE for the Ground. This is similar to the colors used for 120 volt AC wiring so **be careful when handling existing wiring!**

Each individual Dimmer was rigorously tested prior to shipping to ensure that it was working properly.

Download Instructions for a 12 Volt DC Fan at: [www.pca.com/Tech/EPL1012MfanInstall.pdf](http://www.pca.com/Tech/EPL1012MfanInstall.pdf)

### Troubleshooting

1. If the Dimmer runs hot to the touch, there is too much load. Use lower wattage lamps.
2. If the lamp stays on, check the polarity of the power wires. Are they reversed?



16799 Schoenborn St. North Hills, CA 91343  
(818) 892-0761 x126 - [www.pca.com](http://www.pca.com)